

# DSSC FILLING STATION

Innovation in photovoltaic technology

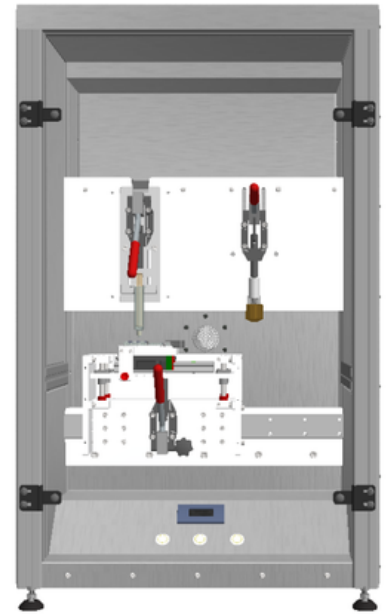


# Filling station GDS 40/E

The station GDS 40/E has two unique features one is filling modules with electrolyte and the second is encapsulation cells with thermoplastic foil. The device is suitable for any other liquid PV technology.

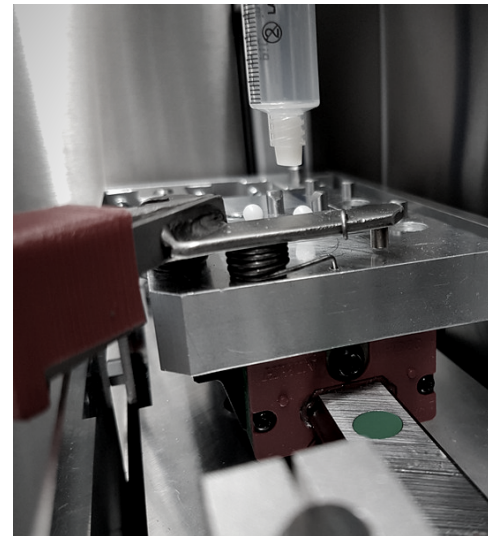
## FEATURES

- + Precisely tailored to the customer's requirements
- + Dual module size socket
- + Easy movement from filling to encapsulation station
- + Mobile table with sockets for cells
- + Easy to operate positioning system
- + Complies with high safety standards
- + Low power consumption & high efficiency
- + Connection to the ventilation exhaust



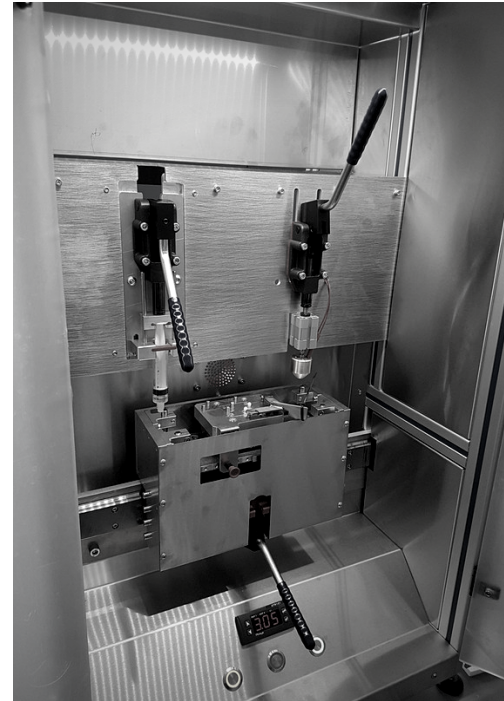
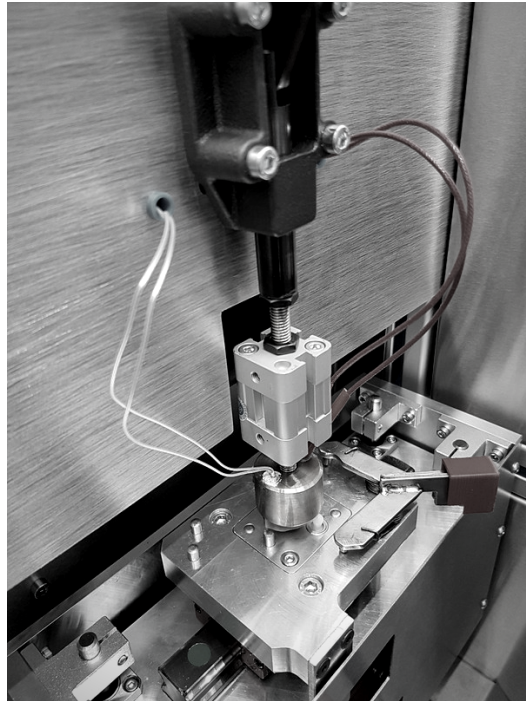
## SPECIFICATION

- + PV modules dimensions: 75 x 50 mm or 26 x 16 mm
- + Dimensions: 560 x 480 x 930 mm (width x depth x height)
- + Power supply: 230 V, 1-1.5 A
- + Approx weight: 50 kg



# About us

3D-nano is pushing back the limitations of 3rd generation of solar technology by providing an easy way to start with DSSC and perovskite solar cell production. 3D-nano offers design and manufacturing of unique and specialized industry devices including machinery and measuring equipment.



3D-nano  
Lipowa 3 str.  
30-702 Krakow  
POLAND

phone: +48 12 346 10 56  
e-mail: [info@3d-nano.com](mailto:info@3d-nano.com)  
[www.3d-nano.com](http://www.3d-nano.com)

